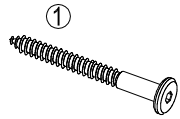


Robert Dyas

ASSEMBLY INSTRUCTION

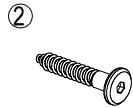
0
1
2
3
4
5
6
7
8
9
10
11
12
13
14

Cm



x 4

HW-ST-01-046
(7 x 90)



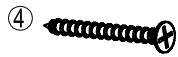
x 4

HW-ST-01-037
(7 x 40)



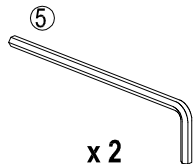
x 8

HW-ST-01-011
(4 x 35)



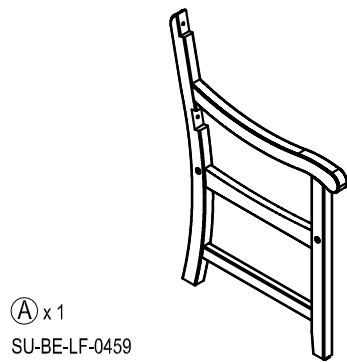
x 4

HW-ST-01-015
(5 x 50)

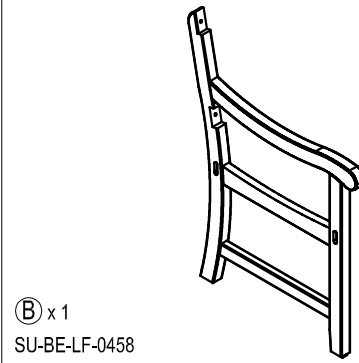


x 2

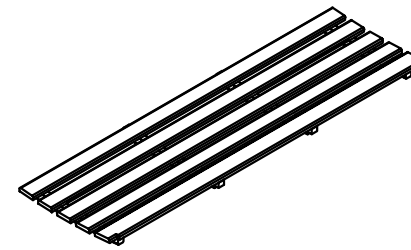
HW-ST-18-001
(4 x 98)



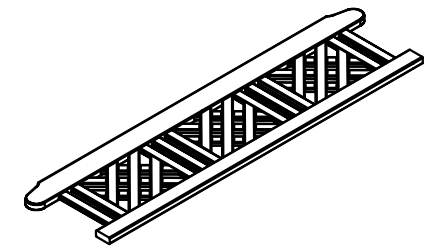
Ⓐ x 1
SU-BE-LF-0459



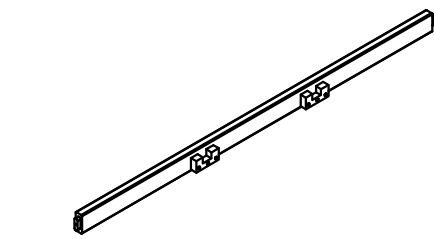
Ⓑ x 1
SU-BE-LF-0458



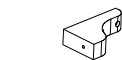
Ⓒ x 1
SU-BE-ST-0341



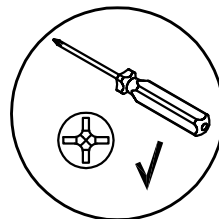
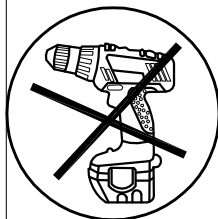
Ⓓ x 1
SU-BE-BF-0283



Ⓔ x 2
SU-BE-BO-0042



Ⓕ x 4
C-W-BE-SP-0118



1/3

